

F E D C B A

4

3

2

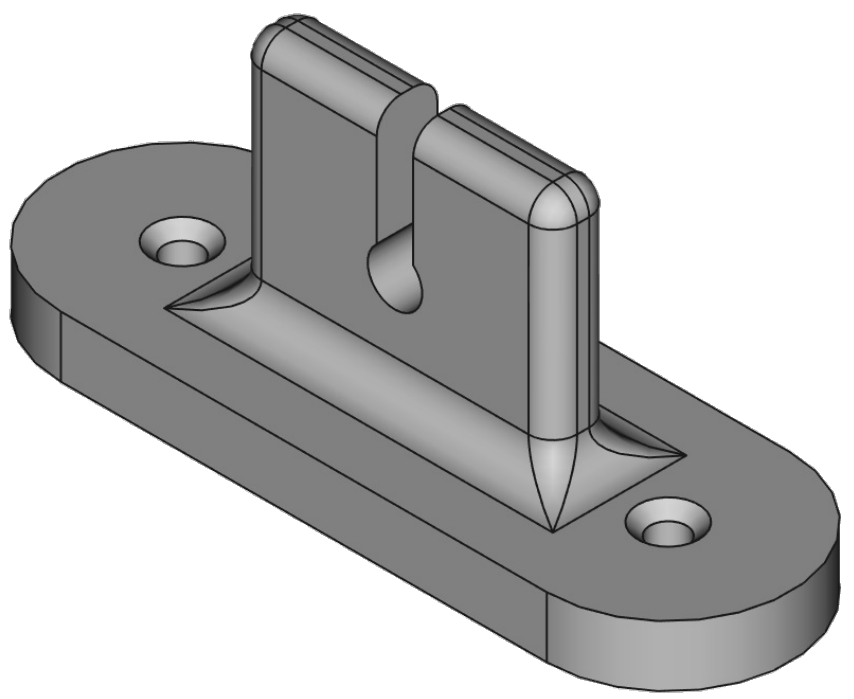
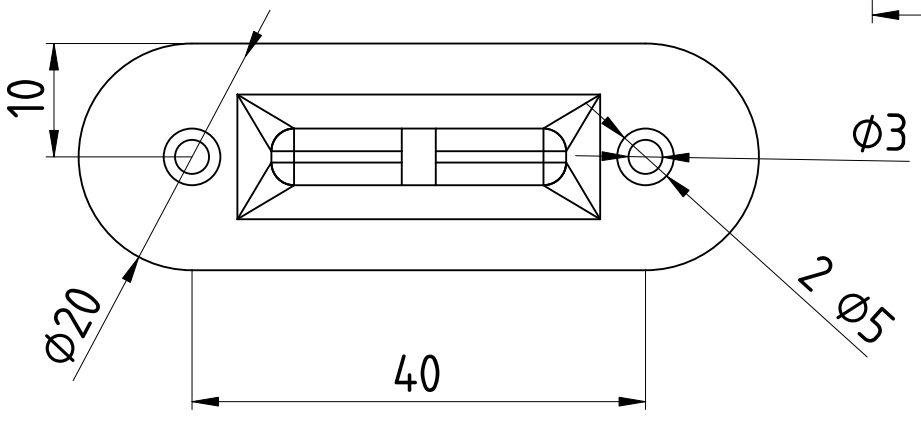
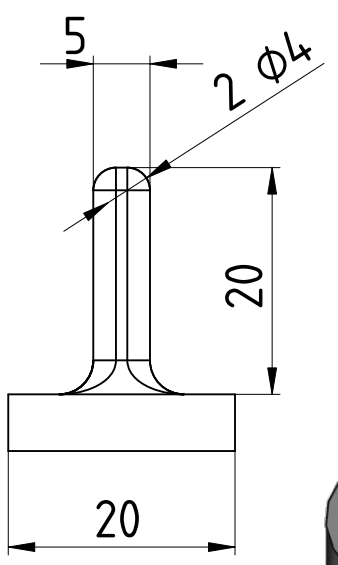
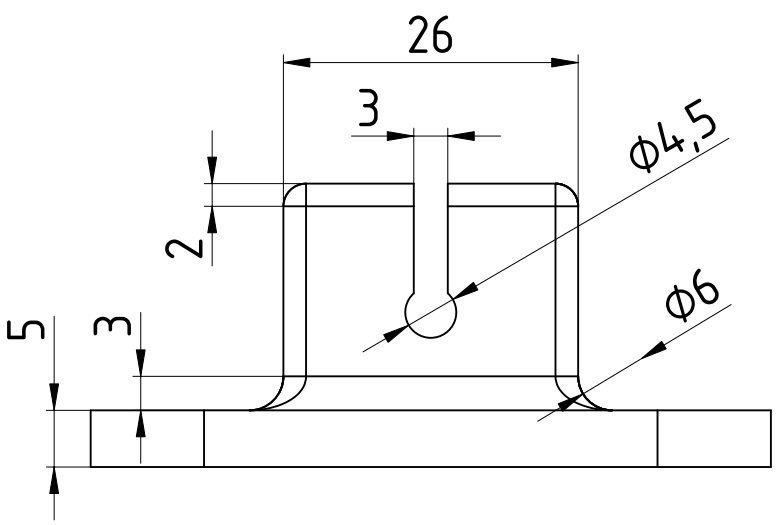
1

4

3

2

1



DESIGNED BY: HiEngineer		Title Bracket sensor DS18B20		G	—
DATE: 10.03.2024				F	—
SIZE A4		DRAWING NUMBER 01		E	—
SCALE				D	—
WEIGHT (kg) Weight	SHEET		C	—	
Sheet		B	—		
This drawing is our property; it can't be reproduced or communicated without our written consent.				A	—

F E D